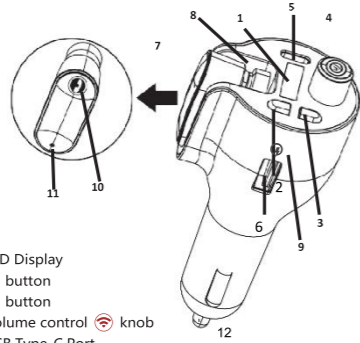


User's Manual



SPFM-HS1-QC
FM Transmitter with Bluetooth Headset

LOCATION OF CONTROLS



1. LED Display
2. Left button
3. Right button
4. Volume control knob
5. USB Type-C Port
6. USB QC3.0 Port
7. Headset
8. Headset Base
9. FM Transmitter
10. Power button
11. Indicator
12. Car Cigarette Plug
- 13.

OPERATION

For listening to music from your BT Device through the unit and your Car Radio, follow the steps below:

PAIRING:

Step 1:

Pairing the unit to your Car Radio:

1. Connect the unit to the car cigarette lighter socket. The unit will automatically power on and the LED Display on the Unit will illuminate & blink. The voltage of the car battery will appear on the LED Display at first.
2. Then a default FM Channel will appear on the unit (For example: 88.0MHz).
3. The Headset on the Unit will start to charging and the Red Indicator on it will illuminate (When charging is complete, the Red Indicator will turn off).
4. Turn on your Car Radio and enter the radio FM mode as usual. Search for a blank FM channel without any radio signal received (For example: 107.0MHz).
5. Press and hold the Volume Control knob on the unit until the LED Display on the unit start to blink. Then press the Left / Right Button on the unit repeatedly (or turn around the Volume Control Knob on the unit) until the same channel frequency appear on the LED Display as illustrated below (For example: 107.0MHz):

Step 2:

1. The device has a built-in Bluetooth chip and can be connected with handheld Bluetooth devices.
2. After the device is turned on, it will automatically enter the Bluetooth pairing state, and the LED light on the Bluetooth headset will keep on Blinking, at this time, use the handheld terminal device to search for the Bluetooth named "SPFM-HS1-QC" and connect;
3. This device has a memory function. After pairing and connection, it will automatically connect after being turned on. There is no need to manually connect again.

Step 3:

Pair your BT (Bluetooth) Device to the Headset on the unit:

In first time use or re-pairing the Headset on the unit to a new BT Device, pairing it as below:

1. After pairing your BT Device to the FM Transmitter successfully, Pick up the Headset from the unit, the Blue & Red LED indicator on the Headset will illuminate and blink.
2. Power on the external BT Device and enter to BT mode. Then searches for the Headset, the pairing name "SPFM-HS1-QC" will appear on the BT Device Name List. Pair your BT Device with it.
3. After the Headset paired, you will hear an audible prompt from headset to say "Connected", then the Red LED indicator will turn off, and the Blue LED indicator will start to blink.

***Above step 2 and 3 can be reversed.**

LISTENING TO MUSIC THROUGH PAIRED BT DEVICE

1. After step 1 & 2 & 3, now you can play the music or answer the incoming call with the paired BT device as usual.
2. During playback:
Turn the Volume Control knob on the unit to adjust volume level as desired. (Or, use the Volume Controls on the Car Radio or paired BT Device to adjust volume level). Press the Volume Control knob to pause; press again to resume normal playback. Press the Left or Right Buttons repeatedly to skip tracks.
3. If the unit is paired to a Cell Phone and a call is incoming during an active music session:
Pick up the Headset from the unit and hang to your ear, then you can answer the call as normal. When your call is complete, press the Power button on Headset or put the Headset back to Headset Base directly to disconnect or end the call. Then Press the Volume Control Knob to resume to music playback. Or, pick up the Headset from the unit and put it back to the Headset base after 2-3 seconds to decline the incoming call, then resume to music playback. Quick press the Power button twice to redial the last telephone number your cell phone called.
4. To shut off the unit, unplug the unit from car cigarette lighter socket.

Notes:

When the external BT Device searches the FM Transmitter & Headset on the unit, our model number "SPFM-HS1-QC" will appear on External BT Device Name List.

If while pairing you are asked for a code please try "0000" or "1234".

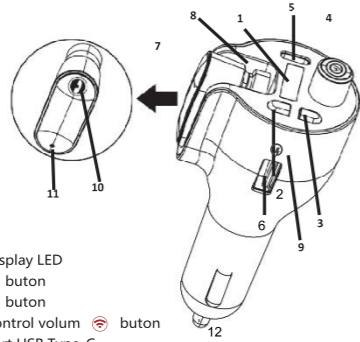
During playback, if keep the Headset on the unit, music can be listened from your car radio. If take the Headset apart from unit, music can be listened from your Headset.

Manual de utilizare



SPFM-HS1-QC
Modulator FM cu casca

Butoane de control



1. Display LED
2. Left button
3. Right button
4. Control volum button
5. Port USB Type-C
6. Port USB QC3.0 incarcare rapida
7. Casca
8. Support casca
9. Modulator FM
10. Power button
11. Indicator
12. Priza bricheta auto

OPERATIUNI

Pentru a asculta muzica de pe dispozitivul BT prin sistemul audio al masinii, urmati pasii de mai jos:

ASOCIEREA:

Pasul 1:

Asocierea unitatii la sistemul auto:

1. Conectati unitatea la priza brichetei auto. Unitatea va porni automat, iar afisajul LED de pe unitate va lumina si se va aprinde intermitent. Tensiunea bateriei masinii va aparea pe afisajul LED la inceput.
2. Apoi va aparea un canal FM implicat pe display-ul unitatii (de exemplu: 88.0MHz).
3. Setul cu casca de pe unitate va incepe sa se incarca si indicatorul rosu de pe acesta se va aprinde. Cand incarcarea este finalizata, indicatorul rosu se va opri.
4. Porniti radioul auto si intrati in modul radio FM, ca de obicei. Cautati un canal FM fara semnal radio. (de exemplu: 107.0MHz).
5. Apasati si tineti apasat butonul de control al volumului pana cand display LED incepe sa clipeasca. Apoi apasati in mod repetat butonul de pe unitate pana cand apare aceeasi frecventa a canalului pe afisajul LED, asa cum este ilustrat mai jos (de exemplu: 107.0MHz):

Pasul 2:

1. Dispozitivul are un chip Bluetooth incorporat si poate fi conectat cu dispozitive Bluetooth portabile.
2. Dupa ce dispozitivul este pornit, acesta va intra automat in starea de asociere Bluetooth, iar lumina LED de pe setul cu casca Bluetooth va continua sa clipeasca. In acest moment utilizati dispozitivul portabil pentru a cauta modulatorul FM numit "SPFM-HS1-QC" si conectati-l.
3. Acest dispozitiv are o functie de memorie. Dupa asociere si conectare, se va conecta automat de fiecare data dupa ce a fost pornit. Nu este nevoie sa va conectati din nou manual.

Pasul 3:

Asociati dispozitivul BT (Bluetooth) la setul cu casca:

Pentru prima data utilizati sau reasociati setul cu casca de pe aparat la un nou dispozitiv BT, parcurgand pasii de mai jos:

1. Dupa asocierea cu succes a dispozitivului BT la modulatorul FM, ridicati casca din unitate, indicatorul LED albastru si rosu al setului cu casca se va aprinde si va clipi. Porniti dispozitivul extern BT si intrati in modul BT. Apoi cauta setul cu casca, numele de asociere "SPFM-HS1-QC" si va aparea pe lista de nume a dispozitivelor BT. Asociati dispozitivul cu acesta.
2. Dupa ce setul cu casca s-a imperecheat, veti auzi un mesaj sonor de la casca ce spune "Conectat", apoi indicatorul LED rosu se va stinge, iar indicatorul LED albastru se va aprinde cu intermitente.

***Pasii 2 si 3 pot fi inversati.**

ASCULTAREA MUZICII PRIN DISPOZITIV BT ASOCIAT

1. Dupa pasii 1, 2 si 3, acum puteti reda muzica sau puteti raspunde la apelul primit la dispozitivul BT asociat, ca de obicei.
2. In timpul redarii:
Actionati buton de control al volumului pana ajustati la nivelul dorit.
Apasati butonul de volum pentru pauza; apasati din nou pentru a relua redarea muzicii.
Apasati Left sau Right pentru a sari la alta piesa.
3. Daca unitatea este asociata cu un telefon mobil si un apel este primit in timpul unuia sesiuni de muzica activa:
Ridicati setul cu casca si asezati-l la ureche, apoi puteti raspunde la apel. Cand apelul s-a incheiat, apasati butonul de pe casca si puneti casca la loc in baza. Apoi apasa butonul de volum pentru a relua muzica.
Sau, ridicati casca din unitate si opuneti-o la loc in baza dupa 2-3 secunde pentru a declina apelul, apoi muzica se va relua. Apasati rapid de doua ori pentru a apela ultimul numar de telefon format.
4. Pentru a opri unitatea, deconectati-o de la priza brichetei auto.

Nota: Cand dispozitivul extern BT cauta modulatorul FM si setul cu casca din unitate, numele asociat este "SPFM-HS1-QC" si va aparea in lista de nume a dispozitivelor externe BT.

Daca in timpul asocierii vi se solicita un cod, incercati "0000" sau "1234".

In timpul redarii, daca pastrati setul cu casca in unitate, muzica poate fi ascultata de la sistemul audio auto. Daca indepartati setul cu casca din unitate, muzica poate fi ascultata din setul cu casca.

The Headset can be used as a independent BT Headset, once paired with the external BT Device, you can play the music or answer the incoming call with the paired BT Device as usual.

BUILT-IN USB QC3.0 FAST CHARGER & TYPE-C CHARGER

The unit has a built-in USB QC3.0 Fast Charger & Type-C Charger. Use it to charge the external Device as below:

1. Connect the unit to the car cigarette lighter socket to power on the unit.
2. Connect the full size USB Plug of the charging cable (not included, to realize fast charging, the USB charging cable must be a fast charging cable) from the USB QC 3.0 Port to the external Device. Charging will automatically start in QC 3.0 fast charge or Type-C charge mode, Monitoring the charging status by the Charging Indicators on the external Device as usual.
3. When finished charging, disconnect the external Device from the USB QC3.0 Fast Charger /Type-C Port.
4. Connect the USB Type-C Plug of the charging cable (not included) from the USB Type-C Port to the external Device.

Nota:

The unit has a built-in overload/overheats protector. If the output of the unit is overload (or short circuit). The charger will auto shut off. Unplug the external Device from the USB QC3.0 or Type-C Port. The charger will auto reset.

Setul cu casca poate fi folosit ca si casca BT independenta, odata ce a fost asociata cu dispozitivul BT extern, puteti reda muzica sau puteti raspunde la apelul primit pe dispozitivul BT asociat.

INCARCARE RAPIDA USB QC3.0 SI INCARCARE USB-C

Baza modulatorului FM are o unitate pentru incarcare rapida USB QC3.0 si una pentru incarcare tip USB-C. Folositi-le pentru a incarca dispozitivul extern dupa cum se arata mai jos:

1. Conectati unitatea la priza brichetei auto pentru a o porni.
2. Conectati mufa USB a cablului de incarcare (acesta nu este inclus, pentru incarcare rapida este nevoie de un cablu care sa suporte incarcare rapida) de la portul USB QC3.0 la dispozitivul extern. Incarcarea va incepe automat in modul de incarcare rapida QC3.0 sau normala prin USB-C, monitorizand starea de incarcare prin indicatorii respectivi de pe dispozitivul extern.
3. Cand ati terminat incarcare, deconectati dispozitivul extern de la portul respectiv USB QC3.0 sau USB-C.

Nota:

Unitatea are o protectie la supraincarcare / supraincalzire incorporata. Daca iesirea unitatii este supraincalzita (sau scurtcircuitata), incarcatorul se va opri automat. In acest caz deconectati dispozitivul extern de la portul USB QC3.0 sau USB-C. Incarcatorul se va reseta automat.

Power Source:	FM Transmitter:DC 12 or 24V from car cigarette lighter socket Headset:DC 3.7V, 30mAh (0.111WH) Built-in rechargeable Li-ion Batter ;Recharge by the FM Transmitter
Output:	Built-in USB QC3.0 Fast Charger; DC 5V,3A or 9V / 2A or 12V / 1.5A Built-in USB Type-C Charge:DC 5V,3A
FM Transmitting Frequency:	88-108MHz
FM Transmitting Power:	87dBuv-107dBuv
BT Version:	5.0
BT Operation Distance:	32 Feet in open area

PACKAGE INCLUDES

1. Wireless FM Transmitter with Headset
2. User Manual

SPECIFICATIONS AND ACCESSORIES ARE SUBJECT TO CHANGE WITHOUT NOTICE.

Disposing the product. Do not dispose the product or the other electrical and electronic components with consumers waste. Use only specialized electrical and electronic waste collection centers.

Waste disposal:

The crossed-out wheeled-bin symbol on our product or packaging reminds you that, in accordance with local laws and regulations, your product and / or its battery must be disposed of separately from household waste/garbage. When this product reaches the end of its life, take it to a collection point designated by the local authorities. For information about the local collection centers, please contact the town hall of your locality.
Royal Computers declares under our own responsibility that the product, wireless charger, conforms with the European directive 2014/53/UE.

The complete text of the EU Declaration of Conformity is available at the following website: www.spacer.ro



Sursa de alimentare:	Modulator FM: DC 12 or 24V la priza brichetei auto Casca: DC 3.7V, 30mAh (0.111WH) Accumulator Li-ION Reincarcabil in baza modulatorului FM
lesire:	Conector: USB QC3.0 Incarcare rapida DC 5V,3A or 9V / 2A or 12V / 1.5A Conector: USB Type-C Incarcare:DC 5V,3A
Frecventa modulator FM:	88-108MHz
Putere de transmisie FM:	87dBuv-107dBuv
Versiune BT:	5.0
Distanta de operare BT:	10 metri in spatiu deschis

CONTINUT PACHET

1. Modulator FM cu casca
2. Manual de utilizare

SPECIFICATIILE SI ACCESORIILE POT FACE OBIECTUL UNOR MODIFICARI FARA NOTIFICARE.

Aruncarea produsului. Nu aruncati produsul sau celelalte componente electronice impreuna cu gunoii menajer. Folositi doar centrele specializate pentru colectarea deseurilor electronice.

ELIMINARE DESEURI:

Simbolul alaturat arata ca, in conformitate cu legea si reglementarile locale, produsul dvs. si/sau bateria acestuia trebuie eliminate separat de deeurile menajere. Atunci cand acest produs ajunge la sfarsitul perioadei de viata, duce-l la un punct de colectare desemnat de autoritatile locale. Pentru informatii despre centrele locale de colectare va rugam contactati primaria localitatii dvs. sau accesati pagina www.ecotic.ro

Prin prezenta, ROYAL COMPUTERS declara ca tipul de echipamente radio incarcator wireless este in conformitate cu Directiva 2014/53/UE. Textul integral al declaratiei UE de conformitate este disponibil la urmatoarea adresa de internet: www.spacer.ro

